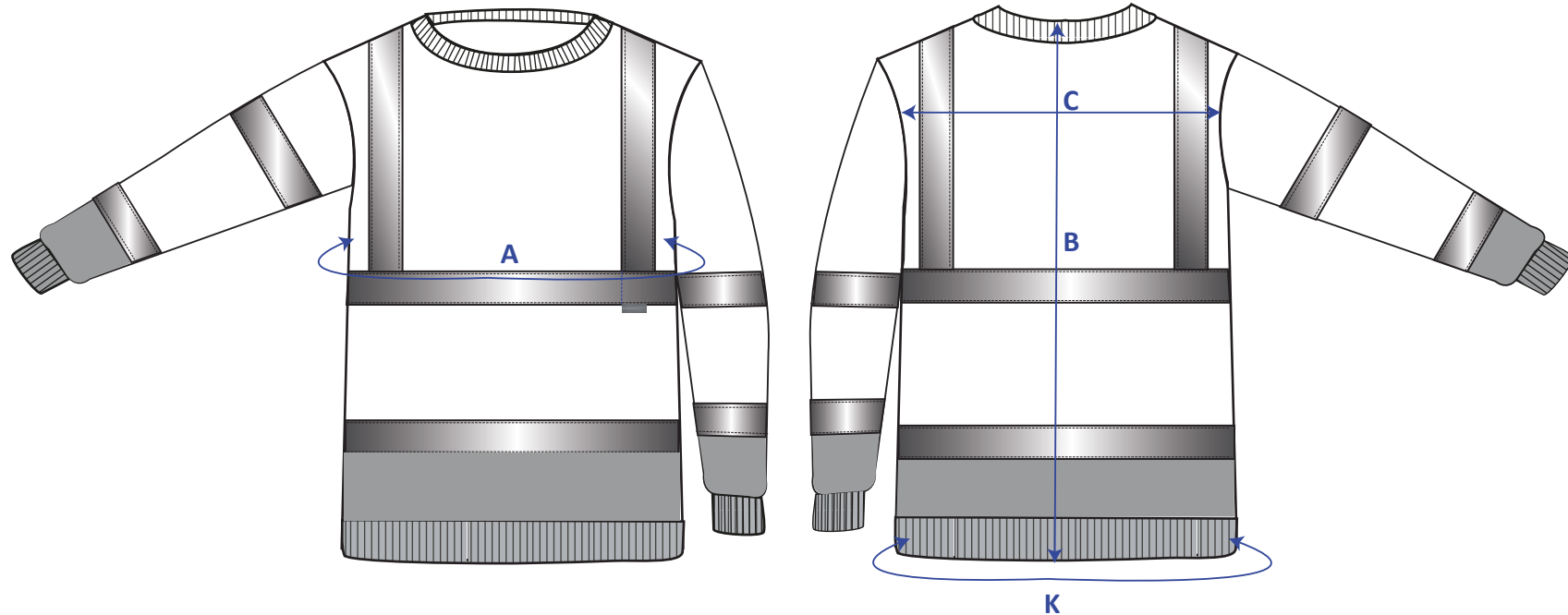


STYLE NO: B306

DESCRIPTION: Two Tone Sweatshirt

FABRIC: 65% Polyester, 35% Cotton 300g/m2.

COLOUR: Yellow, Orange



Area		S	M	L	XL	XXL	3XL	4XL	5XL	Tol (+)
A	Chest	112	117	126	135	144	153	162	171	1
B	Back Length (including collar & waistband)	77	77	78	78	78	79	79	80	1
C	Across Back (10cms down including collar)	49	51	54	57	60	63	66	69	0.5
K	Waistband Circumference (Relaxed)	78	87	96	105	114	123	132	141	1